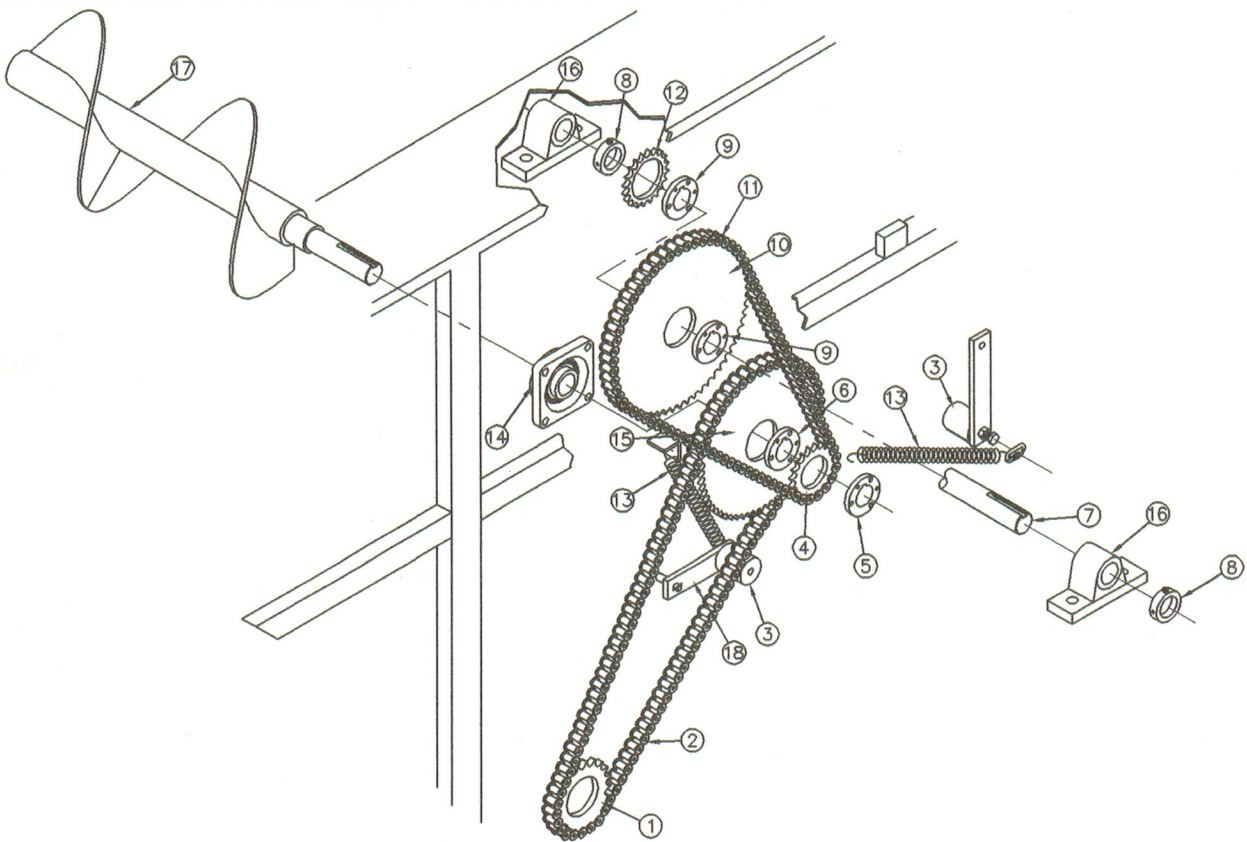
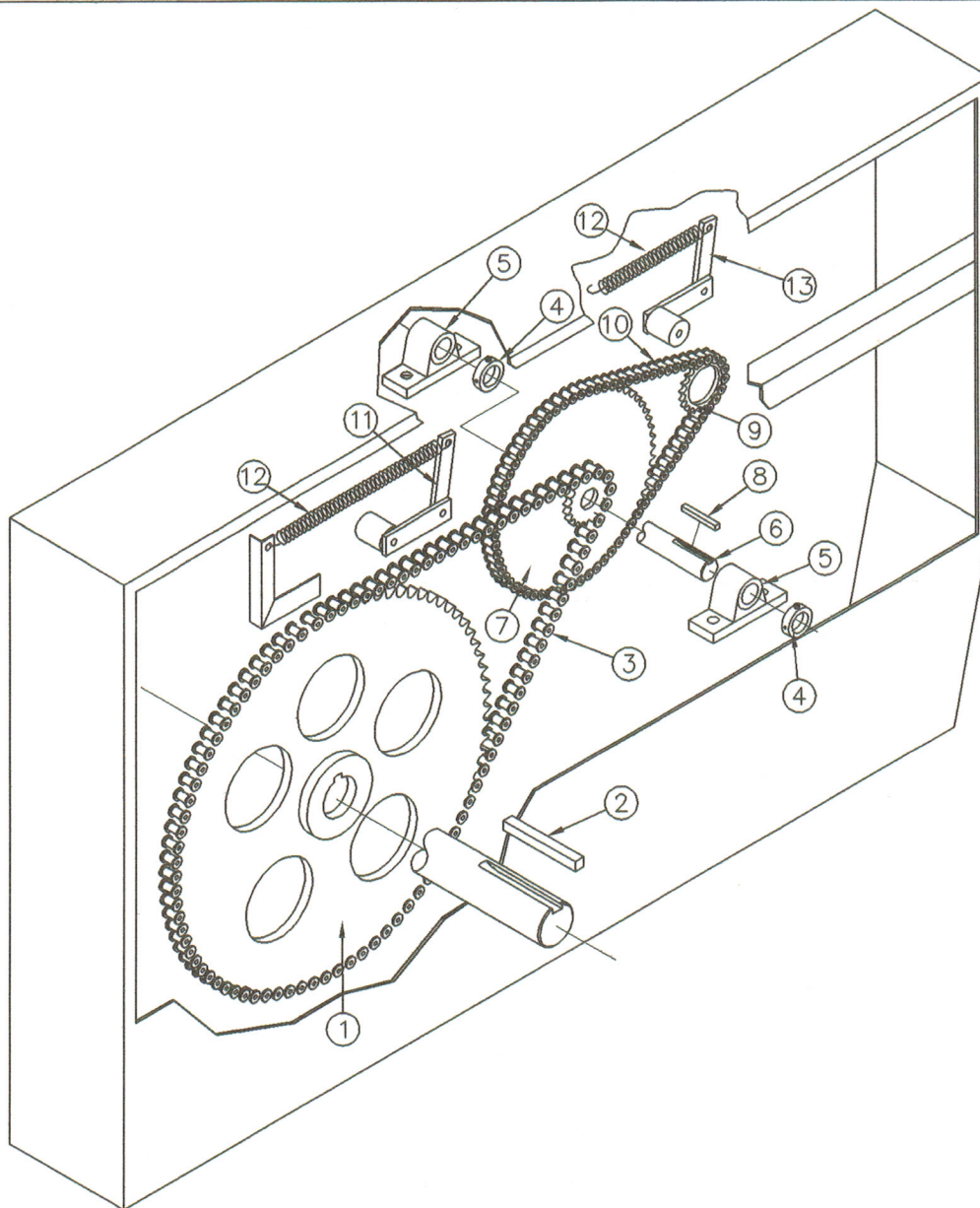


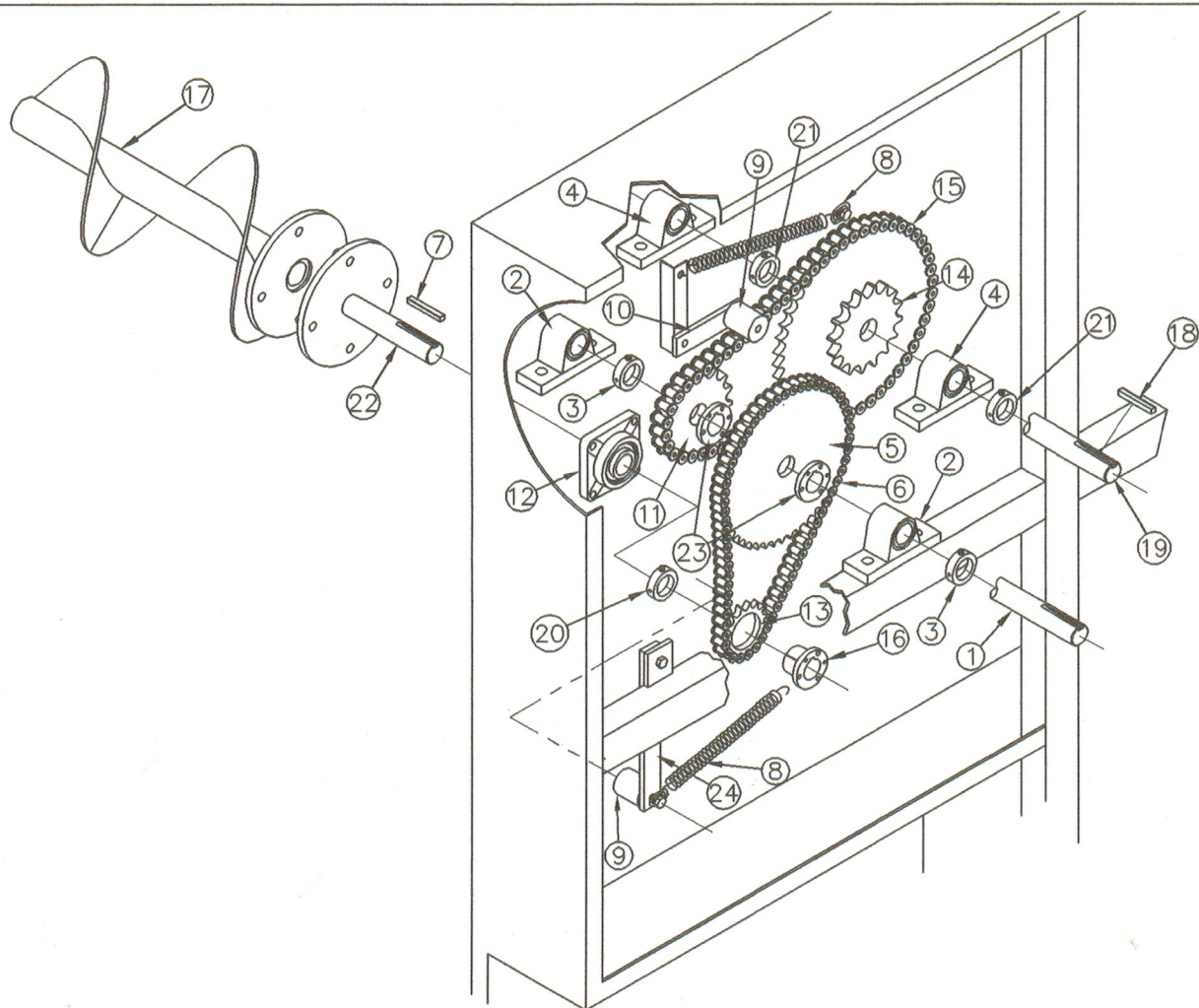
ITEM	PART NO.	DESCRIPTION
1	FAC 412-21	1000 RPM PTO
	FAC 412-06	540 RPM PTO
2	FAC 401	PTO SHAFT 1-1/2"x13
3	FAC 102LC	1-1/2" LOCK COLLAR
4	FAC 102PB	1-1/2" PILLOW BLOCK
5	FAC 106FB-4	1-15/16" 4 BOLT FLANGE BLOCK
6	FAC 215E	E SERIES 1-15/16" HUB
7	FAC 401K	KEY 1/2x1/2x3
8	FAC 402	SHAFT 1-15/16"x14
9	FAC 3514	PULLEY 3G5V14.0 540 RPM
	FAC 3518	PULLEY 3G5V18.7 1000 RPM
10	FAC 5-1000	3/5V1000 BELT
11	FAC 215H	2517 1-15/16" TAPER LOCK HUB W/KEY
12	FAC 220	IDLER BRACKET
13	FAC 273	SPRING
14	FAC 222	TIGHTENER BOLT
15	FAC 106LC	1-15/16" LOCK COLLAR
16	FAC 106PB	1-15/16" PILLOW BLOCK W/BEARING
17	FAC 3511	3G5V 11.8 PULLEY 540 RPM
	FAC 3580	3G5V 8.0 PULLEY 1000 RPM
18	FAC 225	S25252A IDLER PULLEY
19	FAC 234	80 20 TAPER LOCK SPROCKET
20	FAC 312H	2D-SF HUB 1-1/2"



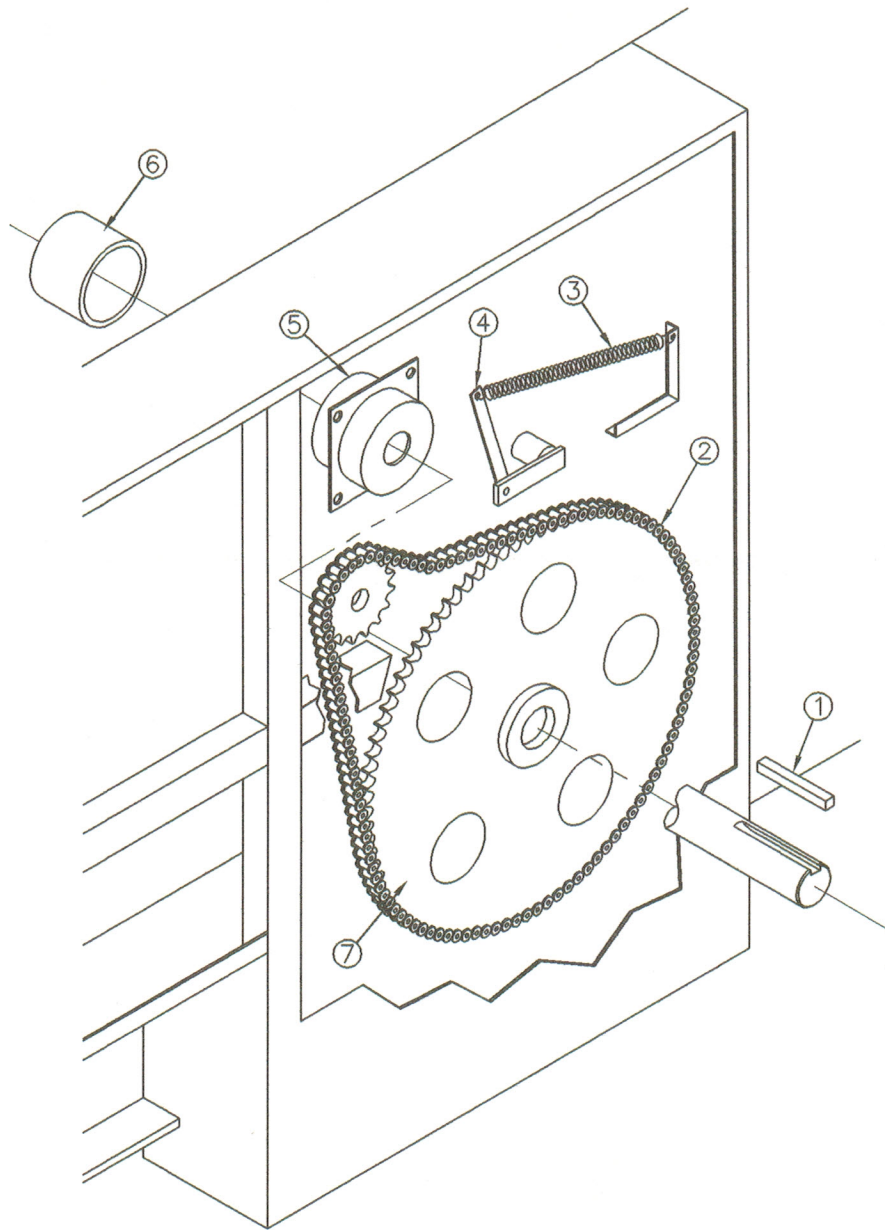
ITEM	PART NO.	DESCRIPTION
1	FAC 234	80 20 TAPER LOCK SPROCKET
2	FAC 280-97	80 CHAINx97"
3	FAC 345	PLASTIC IDLER
4	FAC 230	80 16 TAPER LOCK SPROCKET
5	FAC 230H	2012 1-3/4" TAPER LOCK HUB
6	FAC 245H	2517 2-3/16" TAPER LOCK HUB
7	FAC 450	1-15/16"x9 SHAFT
8	FAC 106LC	1-15/16" LOCK COLLAR
9	FAC 215H	2517 1-15/16" TAPER LOCK HUB
10	FAC 248	80 48 SPROCKET
11	FAC 280-63	63" CHAIN #80
12	FAC 236	100 20 TAPER LOCK SPROCKET
13	FAC 301	SPRING
14	FAC 108 FB-4	RCJO 2-3/16" BEARING 4 BOLT H. FLANGE
15	FAC 245	80 45 TAPER LOCK SPROCKET
16	FAC 106PB	1-15/16" PILLOW BLOCK W/BEARING
17	FAC 812	AUGER 440
	FAC 815	AUGER 550
18	FAC 304	TIGHTENER BRACKET FOR 80 CHAIN



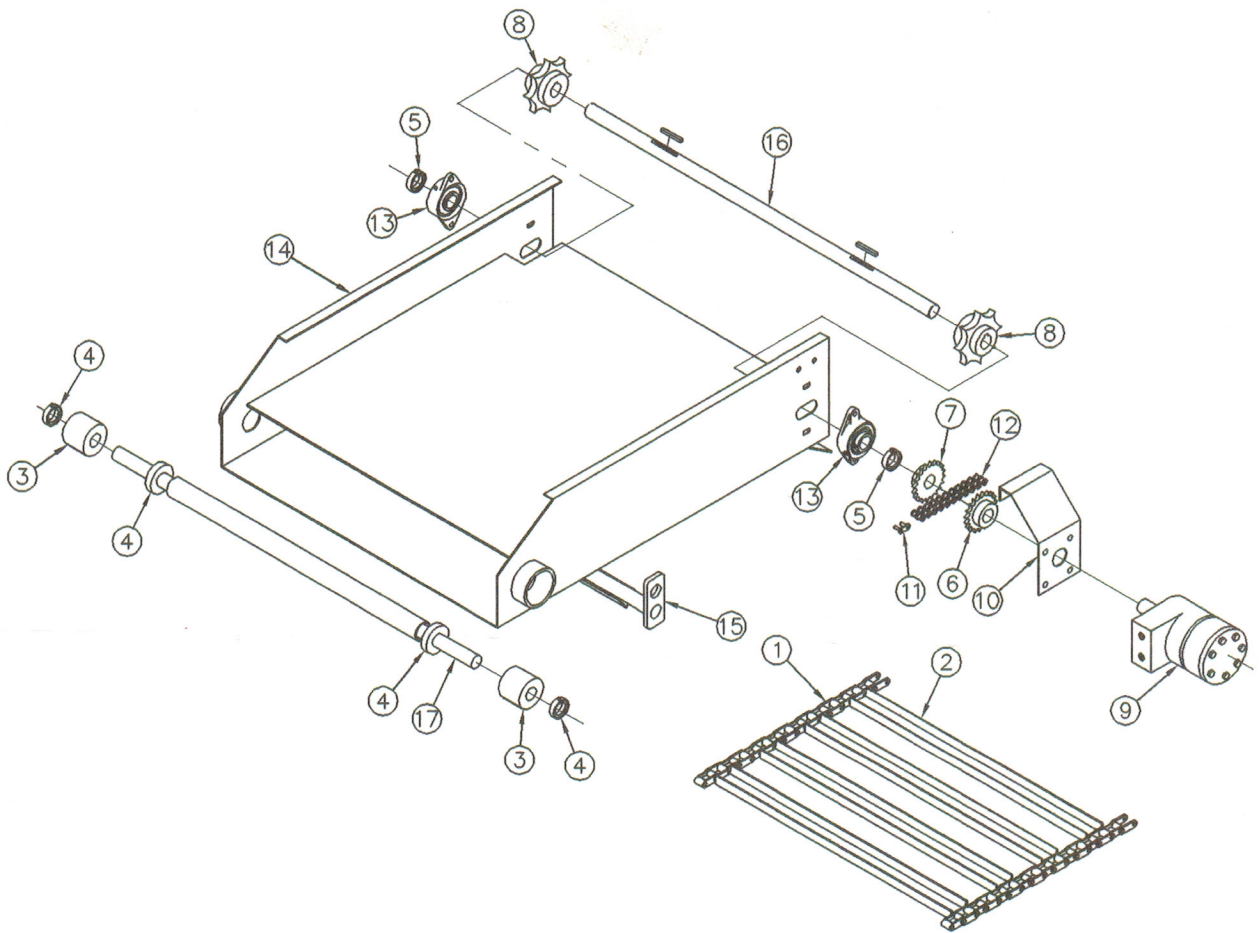
ITEM	PART NO.	DESCRIPTION
1	FAC 120F	120 80 SPROCKET FRONT
2	FAC 120K	1x1x4-1/2 KEY
3	FAC 120C	120x12' CHAIN W/OFFSET & CONN.
4	FAC 103LC	2-3/16" LOCK COLLAR
5	FAC 103PB	2-3/16" PILLOW BLOCK W/BEARING
6	FAC 410	2-3/16x10-1/4 SHAFT
7	FAC 216	120 16 & 100 48 HUB ASSEMBLY
8	FAC 401K	1/2x1/2x3 KEY
9	FAC 236	100 20 TAPER LOCK SPROCKET
10	FAC 279	100 CHAINx79"
11	FAC 302F	FRONT TIGHTENER BRACKET FOR 120 CHAIN
12	FAC 301	SPRING
13	FAC 303F	FRONT TIGHTENER BRACKET FOR 100 CHAIN



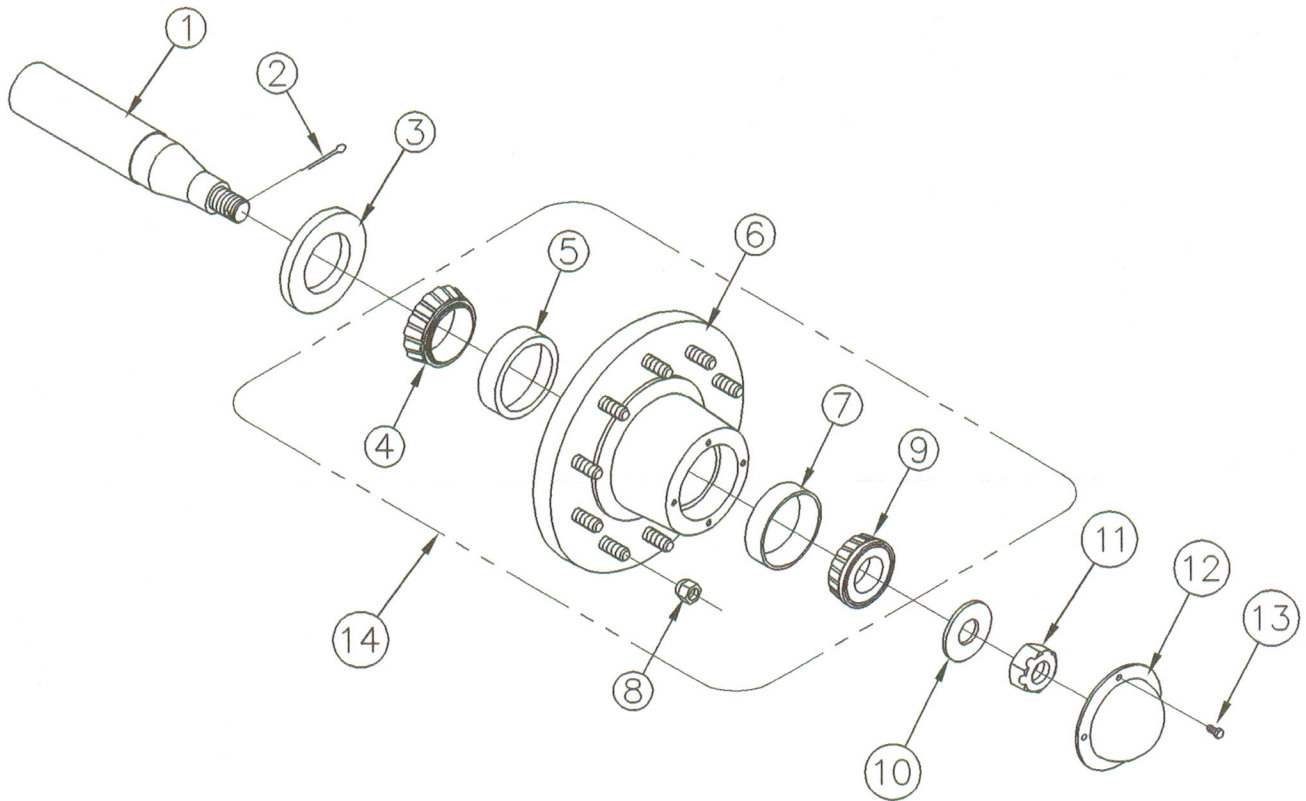
ITEM	PART NO.	DESCRIPTION
1	FAC 450	1-15\16"x9 SHAFT
2	FAC 106PB	1-15\16" PILLOW BLOCK W/BEARING
3	FAC 106LC	1-15\16" LOCK COLLAR
4	FAC 103PB	2-3\16" PILLOW BLOCK W/BEARING
5	FAC 248	80 48 TAPER LOCK SPROCKET
6	FAC 280-63	80 CHIANx63"
7	FAC 418K	3\8x3\8x1-1\4 KEY
8	FAC 301	SPRING
9	FAC345	PLASTIC IDLER
10	FAC 303B	BACK TIGHTENER BRACKET FOR 100 CHAIN
11	FAC 236	100 20 TAPER LOCK SPROCKET
12	FAC 105FB-4	1-3\4" 4 BOLT FLANGE BLOCK
13	FAC 230	80 16 TAPER LOCK SPROCKET
14	FAC 216	120 16 & 100 48 HUB ASSEMBLY
15	FAC 279	100 CHAINx79"
16	FAC 230H	2012 1-3\4" TAPER LOCK HUB
17	FAC 812	AUGER 440
	FAC 815	AUGER 550
18	FAC 401K	1\2x1\2x3 KEY
19	FAC 410	2-3\16x10-1\4 SHAFT
20	FAC 105LC	1-3\4" LOCK COLLAR
21	FAC 103LC	2-3\16" LOCK COLLAR
22	FAC 420	BACK AUGER SHAFT & TIMING HUB
23	FAC 215H	2517 1-15\16" TAPER LOCK HUB
24	FAC 304	TIGHTENER BRACKET FOR 80 CHAIN



ITEM	PART NO.	DESCRIPTION
1	FAC 120K	1x1x4-1/2 KEY
2	FAC 120C	120x12' CHAIN W/OFFSET & CONN.
3	FAC 301	SPRING
4	FAC 302B	BACK BRACKET FOR 120
5	FAC 110FB	4 BOLT FLANGE POLY BEARING
6	FAC 110IN	PLASTIC INSERT
7	FAC 120B	120 80 SPROCKET BACK

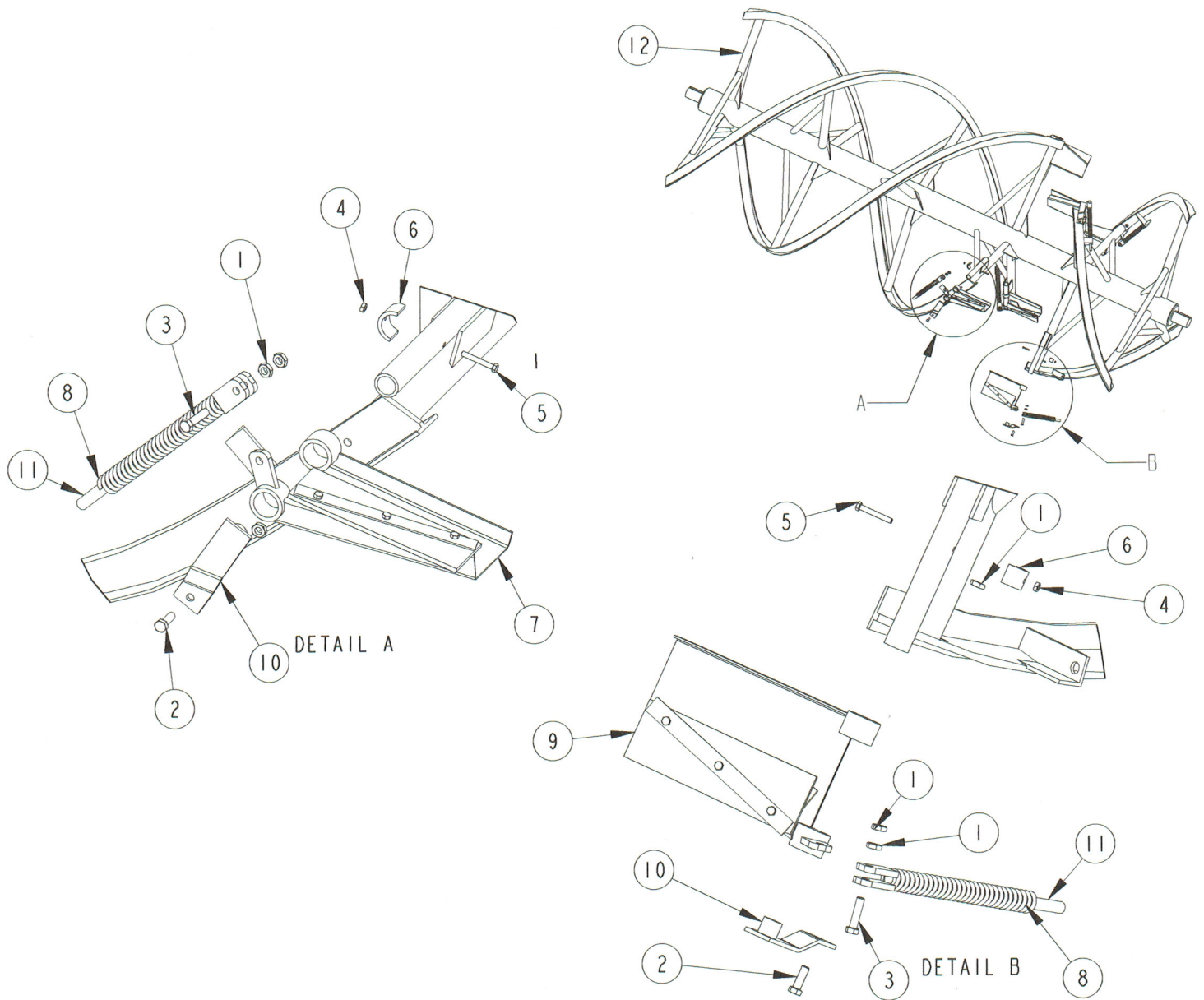


ITEM	PART NO.	DESCRIPTION
1	FAC516-3	3 ft. ELEVATOR CHAIN
	FAC516-4	4 ft. ELEVATOR CHAIN
	FAC516-5	5 ft. ELEVATOR CHAIN
2	FAC515	SLOT WITH LINK
3	FAC513	LOWER IDLER
4	FAC514	1-1/4" SET COLLAR
5	FAC101LC	1-1/4" LOCK COLLAR
6	FAC523	5014x1" SPROCKET
7	FAC521	5014x1-1/4" SPROCKET
8	FAC555	755x1-1/4" SPROCKET
9	FAC509	HYDRAULIC MOTOR
10	FAC518	MOTOR MOUNT
11	FAC522-C	CONNECTOR 50-2 LINK
12	FAC522	50-2 CHAIN 13 LINKS
13	FAC101FB2	1-1/4" 2 BOLT FLANGE BLOCK
14	FAC500-3	3 ft. ELEVATOR WELDMENT
	FAC500-4	4 ft. ELEVATOR WELDMENT
	FAC500-5	5 ft. ELEVATOR WELDMENT
15	FAC520	CYLINDER CONNECTOR
16	FAC511	1-1/4x46" SHAFT
17	FAC	1-1/4x42" SHAFT



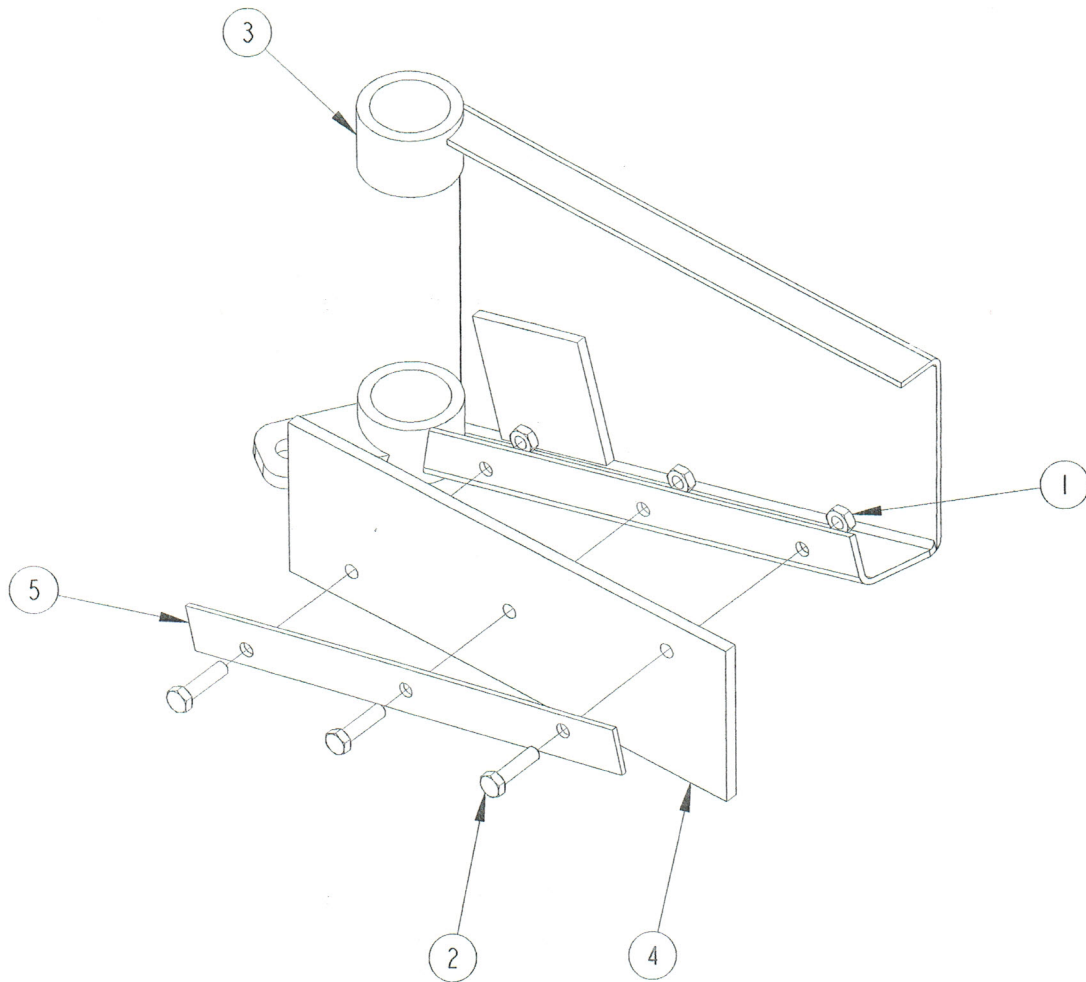
ITEM	PART NO.	DESCRIPTION
1	FAC 630	SPINDLE
2	FAC 630CP	COTTER PIN
3	FAC 631S	SEAL
4	FAC 631IB	INNER BEARING
5	FAC 631IR	INNER RACE
6	FAC 631	HUB WITH RACES
7	FAC 631OR	OUTER RACE
8	FAC 631WN	WHEEL NUT
9	FAC 631OB	OUTER BEARING
10	FAC 630W	SPINDLE WASHER
11	FAC 630SN	SPINDLE NUT
12	FAC 631HC	HUB CAP
13	FAC 631CB	CAP BOLT
14	FAC 631CA	COMPLETE HUB ASSEM. W/BEARINGS

ASSY, 440/550 SPIRAL



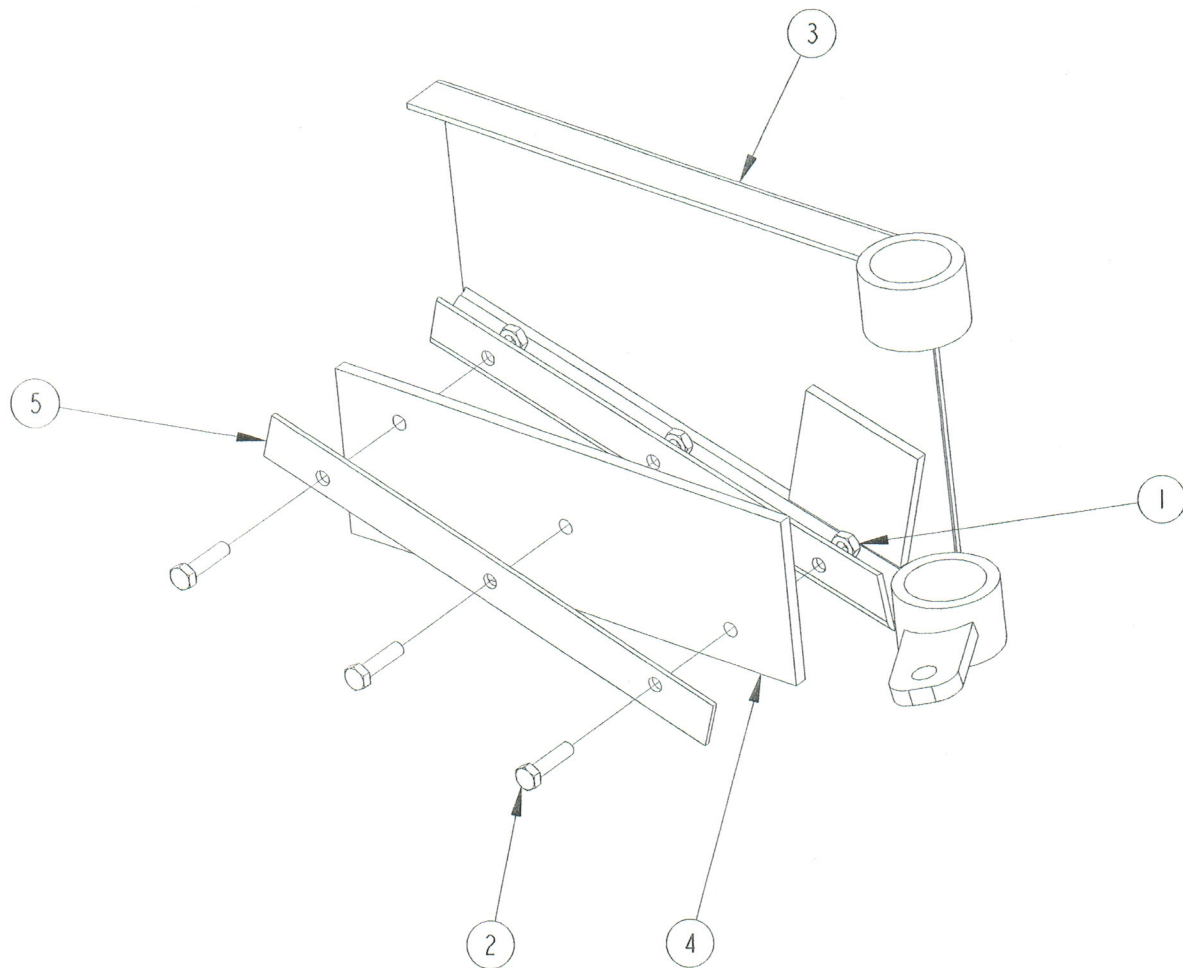
ITEM	PART NUMBER	DESCRIPTION
1	1_2HEXNUT	HEX NUT, 1/2-13NC
2	1_2X1_50BOLT	HEX HD BOLT, 1/2-13NC X 1.50
3	1_2X2_00BOLT	HEX HD BOLT, 1/2-13NC X 2.00
4	5_16HEXNUT	5/16-18NC HEX NUT
5	5_16X2_25BOLT	HEX HD BOLT, 5/16-18NC X 2.25
6	FA-336	KICKER KEEPER
7	FA-335B	ASSY, BACK KICKER, 250, 340, 430, 440, & 550
8	FA-335C	COMPRESSION SPRING
9	FA-335F	ASSY, FRONT KICKER, 250, 340, 430, 440, & 550
10	FA-335KC	KICKER CAP
11	FA-335SR	KICKER SPRING ROD
12	FAC-845	550 SPIRAL

ASSY, BACK KICKER, 250, 340, 430, 440, & 550



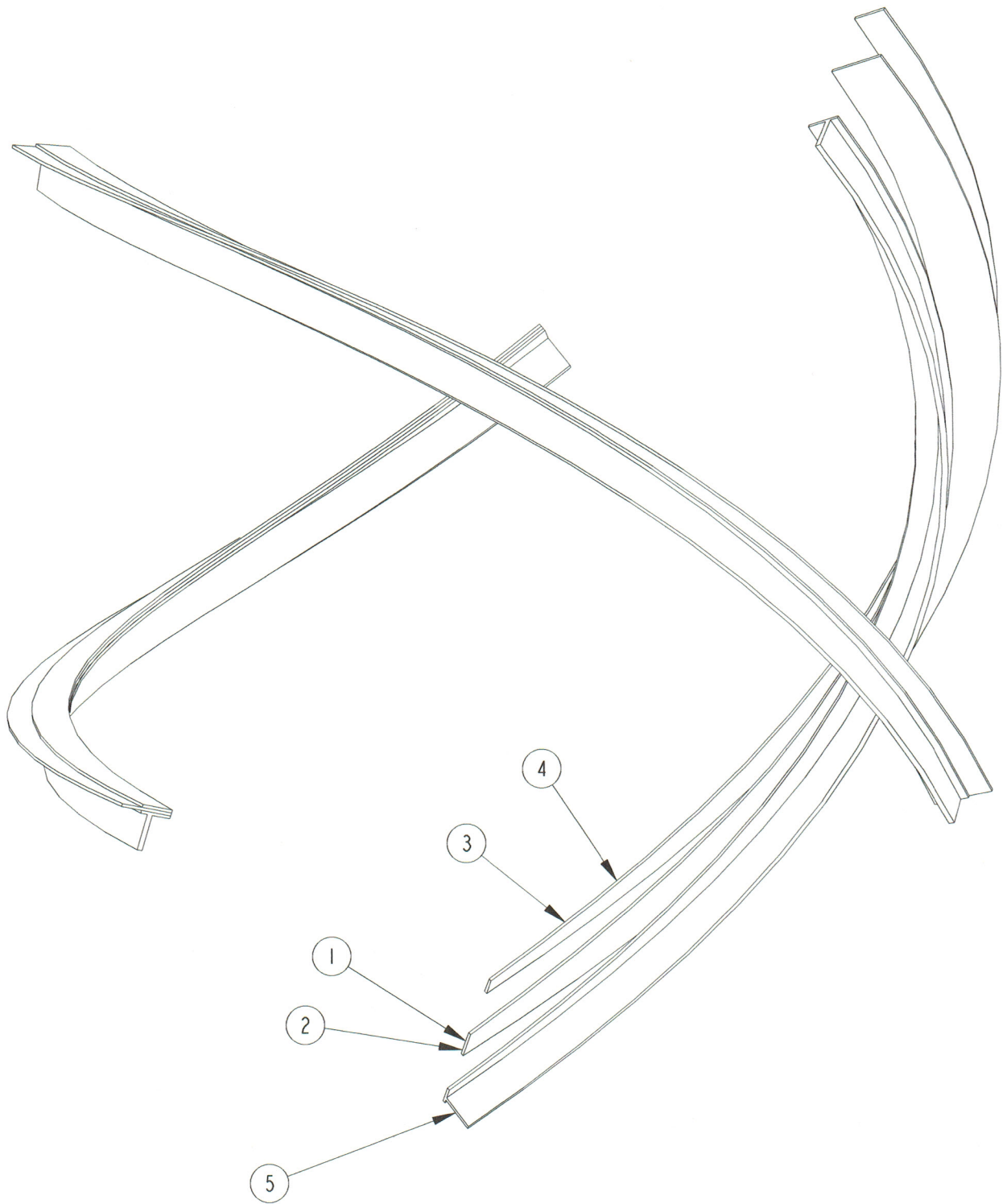
ITEM	PART NUMBER	DESCRIPTION
1	5_16HEXNUT	5/16-18NC HEX NUT
2	5_16X1_00BOLT	HEX HD BOLT, 5/16-18NC X 1.00
3	FA-335B	BACK KICKER, COMPLETE W/BELTING
4	FA-335KB	KICKER BELT
5	KICKER-STRAP	BOLT STRAP, KICKER

ASSY, FRONT KICKER, 250, 340, 430, 440, & 550



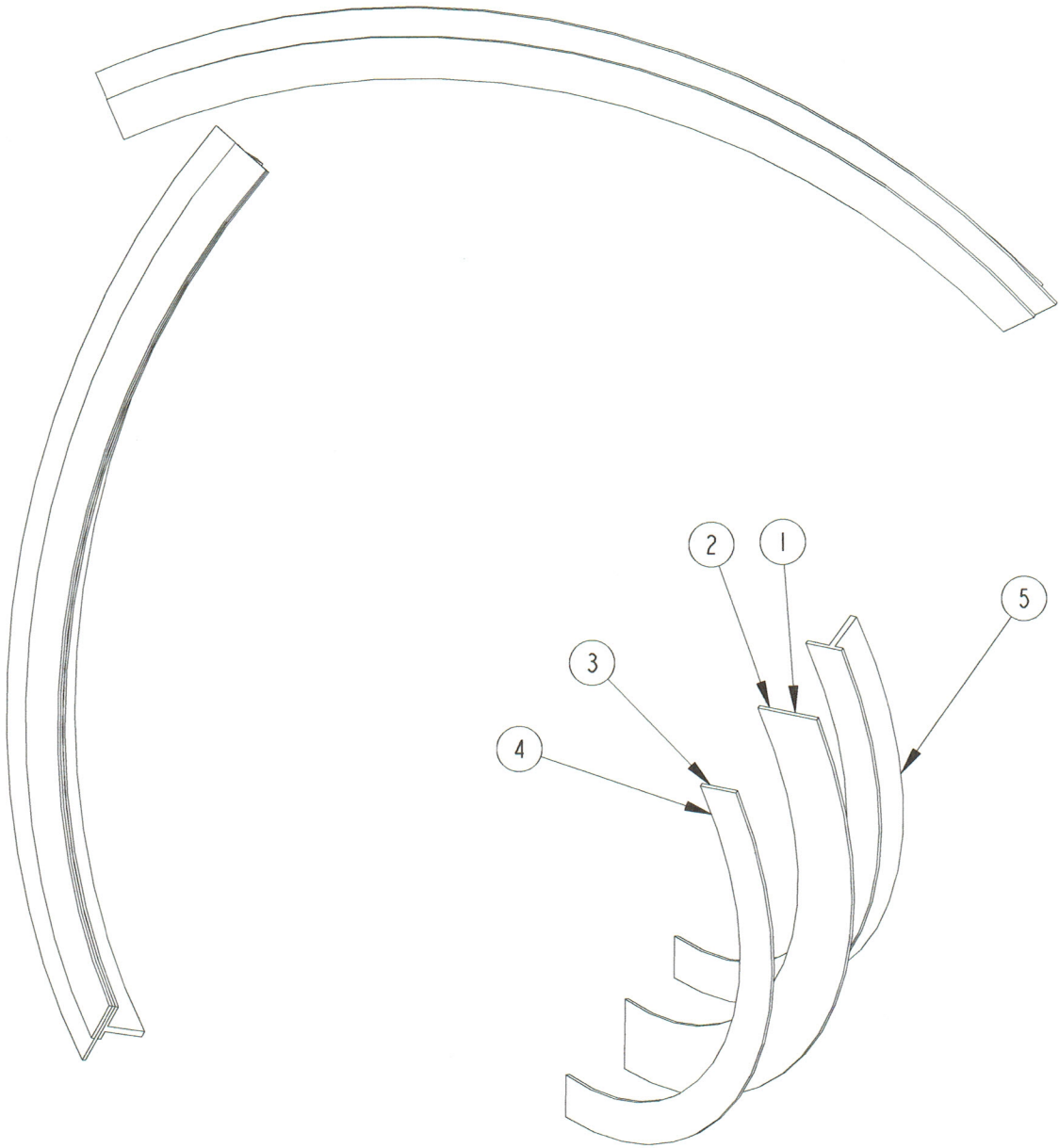
ITEM	PART NUMBER	DESCRIPTION
1	5_16HEXNUT	5/16-18NC HEX NUT
2	5_16X1_00BOLT	HEX HD BOLT, 5/16-18NC X 1.00
3	FA-335F	FRONT KICKER, COMPLETE W/BELTING
4	FA-335KB	KICKER BELT
5	KICKER-STRAP	BOLT STRAP, KICKER

ASSY, BACK SWEEP KIT, 440 & 550

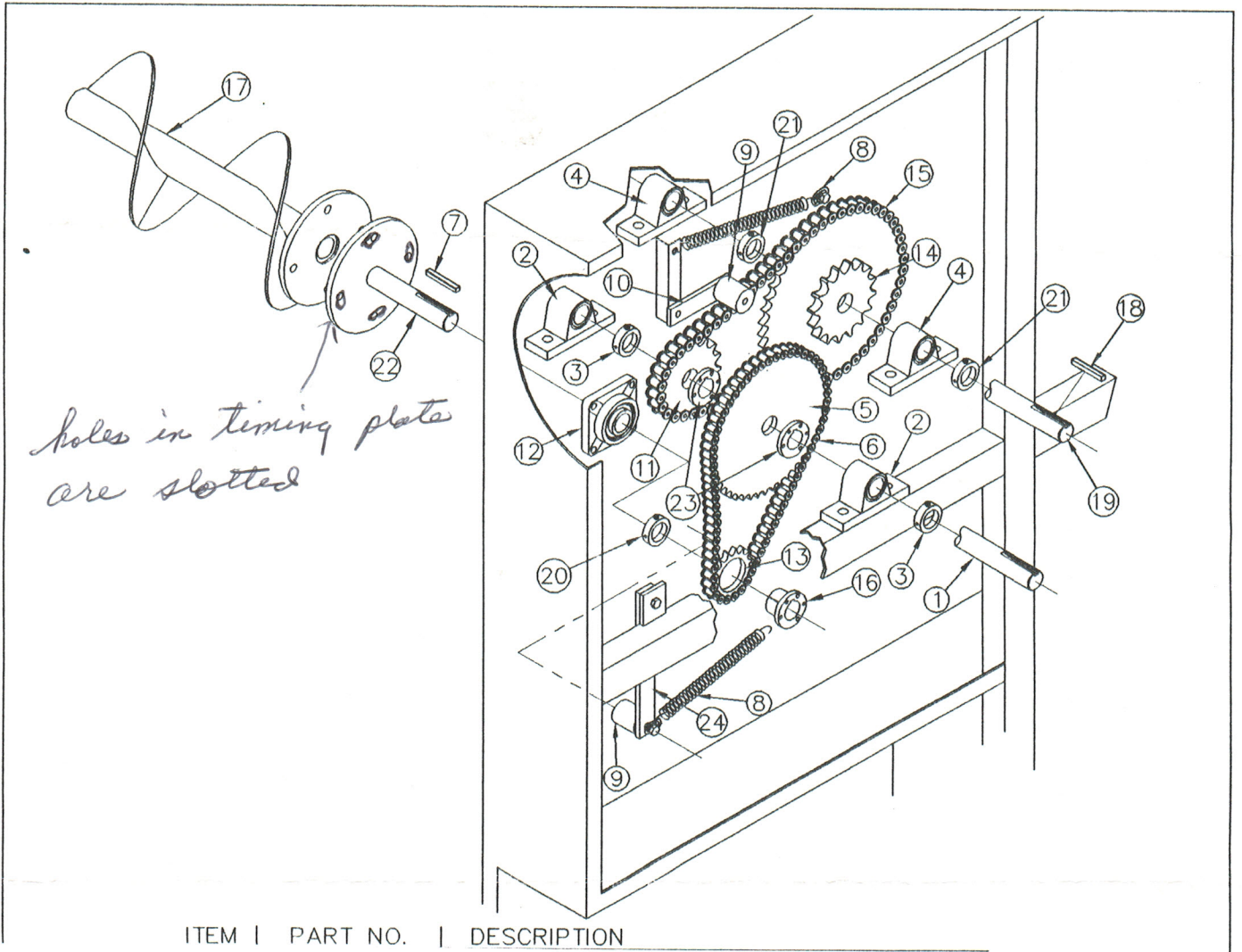


ITEM	PART NUMBER	DESCRIPTION
1	FAC-703B	SWEEP CLEAN BELT, FRT & RR 440
2	FAC-704B	SWEEP CLEAN BELT, FRT & RR 550
3	FAC-704BF	SPIRAL FACE MATERIAL, 440/550
4	FAC-704BF-H	SPIRAL FACE MATERIAL W/HOLES, 440/550
5	FAC-704BS	BACK SPIRAL SUPPORT MATERIAL, 440/550

ASSY, FRONT SWEEP KIT, 440 & 550



ITEM	PART NUMBER	DESCRIPTION
1	FAC--703B	SWEEP CLEAN BELT, FRT & RR 440
2	FAC--704B	SWEEP CLEAN BELT, FRT & RR 550
3	FAC-704FF	SPIRAL FACE MATERIAL, 440/550
4	FAC-704FF-H	SPIRAL FACE MATERIAL W/HOLES, 440/550
5	FAC-704FS	FRONT SPIRAL SUPPORT MATERIAL, 440/550



holes in timing plate
are slotted

To time wagon install all chains except back
80 chain. Block spiral so it cannot turn. Either with
some feed in wagon or block of wood. Have someone turn
pto shaft ^{by hand (not tractor power)} to pull all chains snug. then install back
80 chain. and snug it by using slots in timing plate.
If this is not possible disconnect 80 chain and reverse
one tooth on small sprocket, then using slots you should
be able to snug 80 chain. In older wagons slots were
not long enough to compensate for length of 80 link
In this case advance 100 chain one tooth & reverse
80 chain to divide difference, or if timing plate
is out of wagon it is ok to cut slots longer